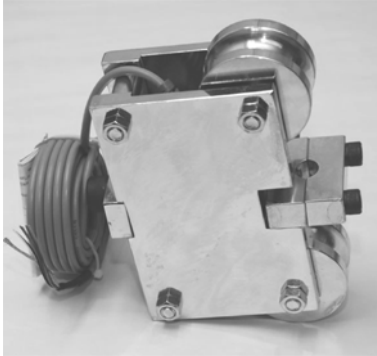


Rope Tension Transducer (RTT)



FEATURES

- Easy mounting
- Rope and Wire overload control

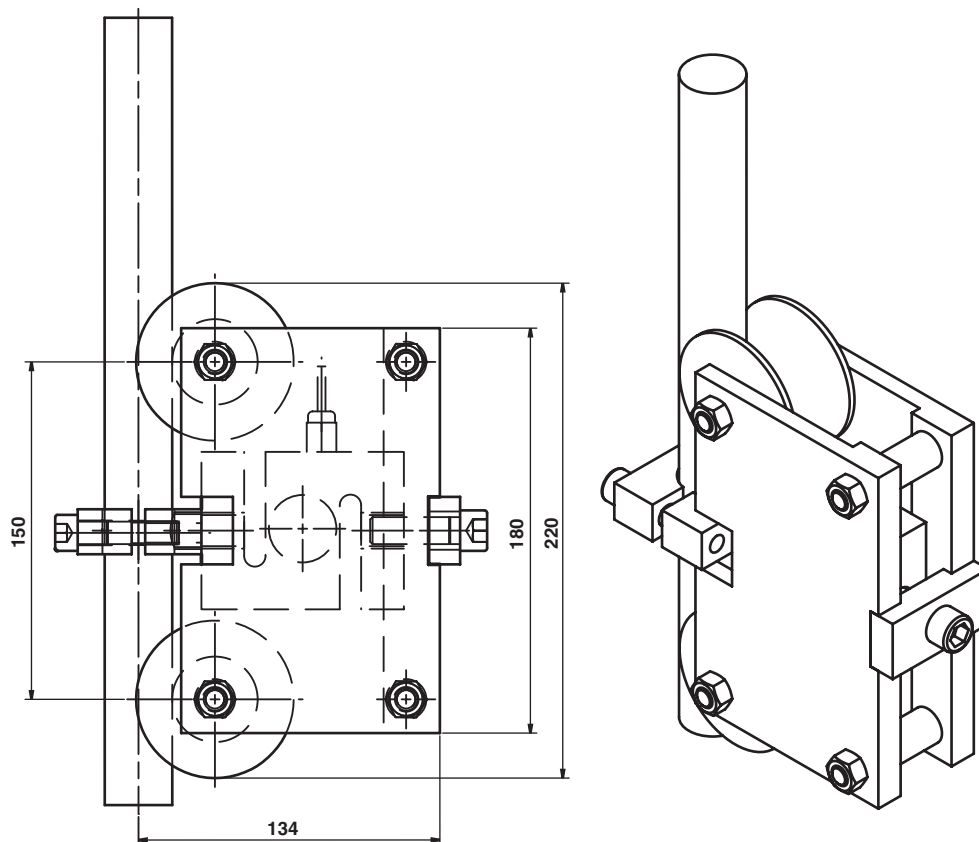
DESCRIPTION

Clamp on module for rope and wire forces measurement.
Easy to install, overload protection for cranes.

APPLICATIONS

- Overload alarm
- Force over load measurement
- Cranes

OUTLINE DIMENSIONS IN MM



Rope Tension Transducer

Nobel Weighing Systems Rope Tension Transducer (RTT)



SPECIFICATIONS

PARAMETER		VALUE	UNIT
Rated load (R.L.)		Application dependent	
Wire diameter*		10 - 36	mm
Non linearity		±2.0	% of R.O.
Repeatability		1	% of R.O.
Input voltage	recommended	10	V DC or AC
	maximum	15	V DC or AC
Input resistance		385±15	W
Output resistance		350±3	W
Rated output (R.O.)		Application dependent	mV/V
Temperature range		-20 to +70	°C
Temperature effect (-10 to +50°C)	on output	±0.003	% of output/°C
	on zero balance	±0.03	% of R.O./°C
Insulation resistance at 200V DC		>4	GW
Material		Plated alloy steel	
Electrical connection		6 m shielded six conductor	
Degree of protection		IP67	

*Customer specific available on demand.

Disclaimer

All product specifications and data are subject to change without notice.

Vishay Precision Group, Inc., its affiliates, agents, and employees, and all persons acting on its or their behalf (collectively, "Vishay Precision Group"), disclaim any and all liability for any errors, inaccuracies or incompleteness contained herein or in any other disclosure relating to any product.

Vishay Precision Group disclaims any and all liability arising out of the use or application of any product described herein or of any information provided herein to the maximum extent permitted by law. The product specifications do not expand or otherwise modify Vishay Precision Group's terms and conditions of purchase, including but not limited to the warranty expressed therein, which apply to these products.

No license, express or implied, by estoppel or otherwise, to any intellectual property rights is granted by this document or by any conduct of Vishay Precision Group.

The products shown herein are not designed for use in medical, life-saving, or life-sustaining applications unless otherwise expressly indicated. Customers using or selling Vishay Precision Group products not expressly indicated for use in such applications do so entirely at their own risk and agree to fully indemnify Vishay Precision Group for any damages arising or resulting from such use or sale. Please contact authorized Vishay Precision Group personnel to obtain written terms and conditions regarding products designed for such applications.

Product names and markings noted herein may be trademarks of their respective owners.